

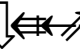

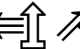

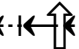
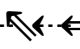



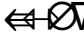
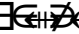









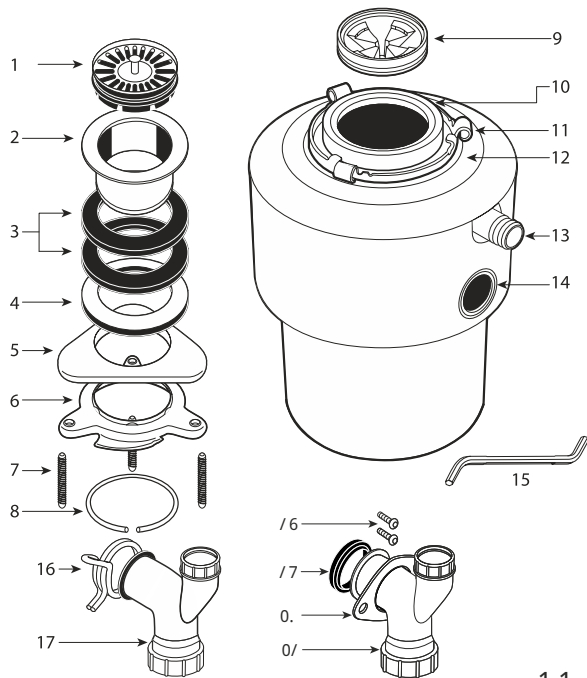




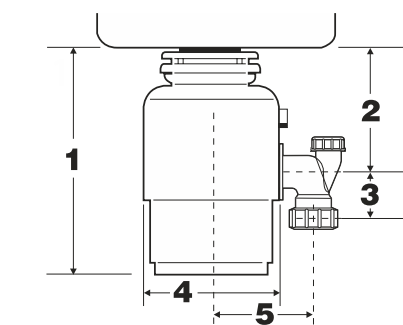
# STATUS®

- Ⓒ FOOD WASTE DISPOSER  
PREMIUM 100/150/200/300  
Operating instructions
- Ⓘ DISSIPATORE DI RIFIUTI ALIMENTARI  
PREMIUM 100/150/200/300  
Istruzioni d'uso
- Ⓓ K- CHENABFALLENERGER  
PREMIUM 100/150/200/300  
Bedienungsanleitung
- Ⓕ BROYEUR DE DÉCHETS ALIMENTAIRES  
PREMIUM 100/150/200/300  
Instructions d'emploi
- Ⓡ             
PREMIUM 100/150/200/300  
          



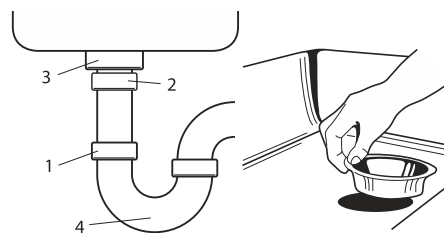


1.1



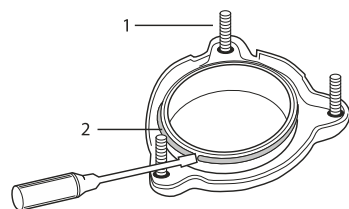
PREMIUM	1	2	3	4	5
100	29,3cm	15,3cm	7cm	16cm	12,7cm
150 / 200	32cm	17,6cm	6,4cm	21cm	16,5cm
300	33,5cm	17,6cm	6,4cm	22,5cm	16,5cm

2.1

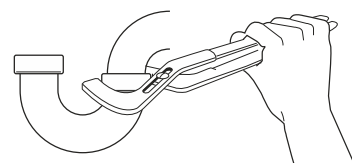


3.1

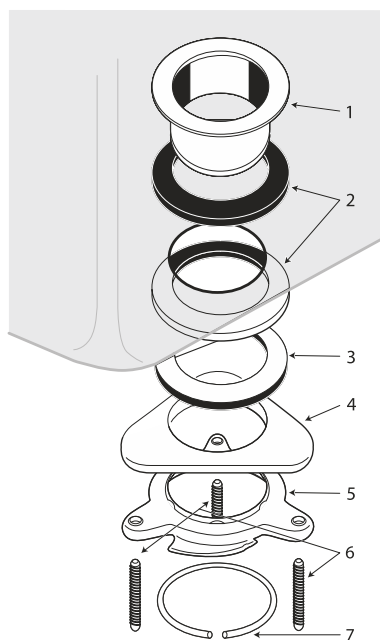
3.2



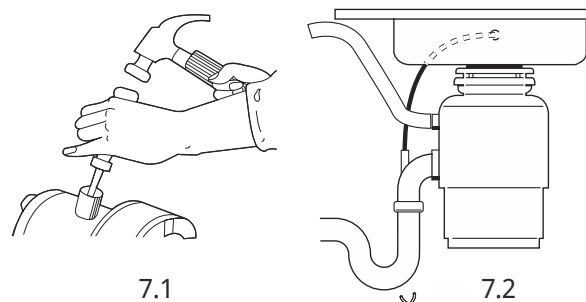
4.1



6.1

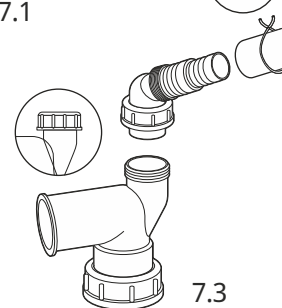


5.1

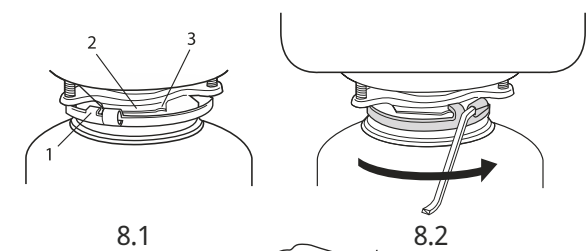


7.1

7.2

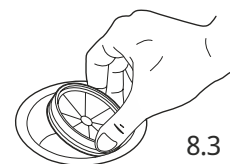


7.3

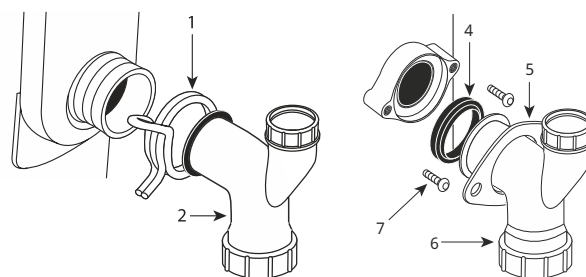


8.1

8.2

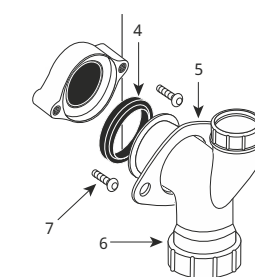


8.3



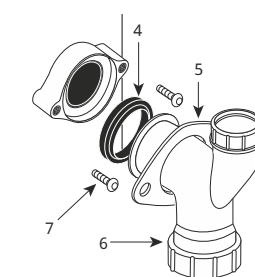
9.1

9.2



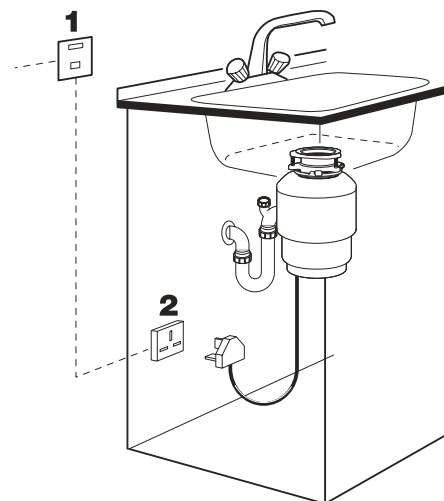
7

6

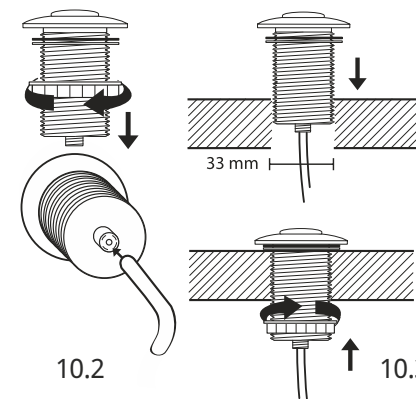


7

6

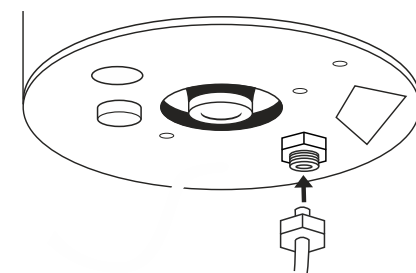


10.1



10.2

10.3



10.4







